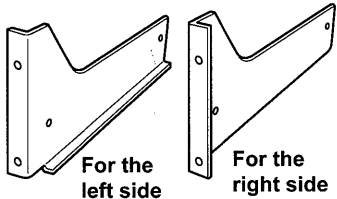


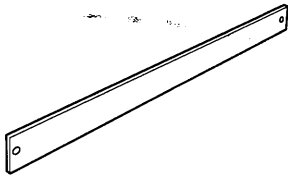
Rack Mount Kit Instruction Manual

PARTS ENCLOSED



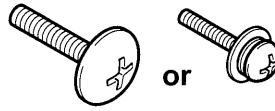
Rack Mount Panels X1

* Actual panels may vary by model

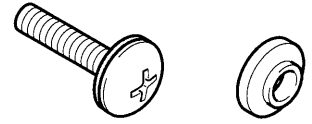


Blank panel X1

* Except Model IRK-130



Screws A X4
For attaching the Rack Mount Panels to the Unit (Step 2)



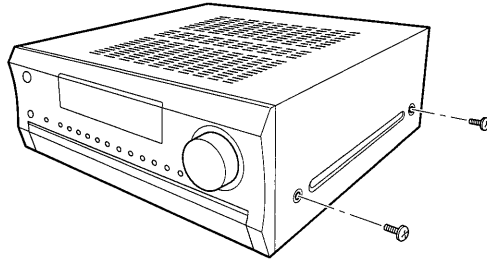
Screws B & Washers
IRK-130 X4 IRK-155/070 X6
IRK-120/080 X8

* The number is different in each model
For attaching the Unit and Blank Panel to the Rack System (Step 3&4)

STEP

1

Remove screws from the right side of the cover.

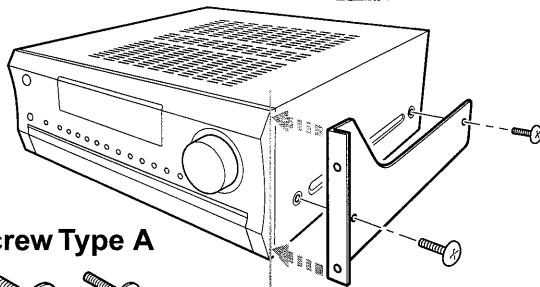


Do not remove feet from the unit. Remove side screws only from cover as indicated.

STEP

2

Align the rack mount to front panel of the unit.



Screw Type A



Align the top corner of the rack mount panel to the top of the front panel first then align it vertically to the front panel.

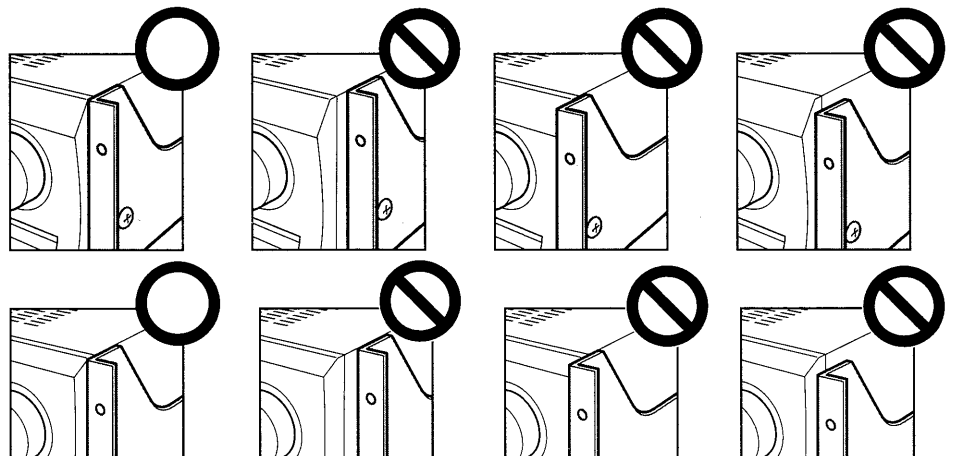
After installing the rack mount panel on the right side, repeat the same procedure (step 1 - 2) for the left side.

Repeat the same procedure (step 1 - 2) for the left side.

Caution !

Make sure to use correct screw type and the rack mount panel is positioned correctly.

Integra Model



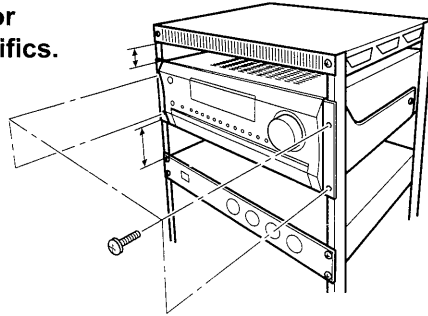
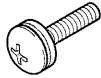
STEP

3

Mount the unit to the rack system.

Please see caution section below for ventilation specifics.

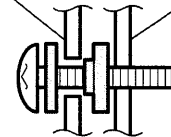
Screw Type B



More than one person is needed for this step.

Please ensure that tack screw and washers are assembled as shown below to avoid grounding through the rack mount.

Rack Mount Panel Rack

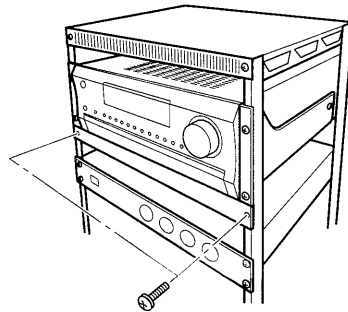
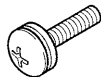


STEP

4

Mount the blank panel.

Screw Type B



Please mount panel with sticker on back side, oriented as indicated on sticker.

* Skip this step on Model IRK-130

CAUTIONS

- * Not suitable For In-Wall Mounting.
- * Do not ground through the rack mount.
- * Do not mount the unit to the rack alone, need one more person to hold the unit.
- * Read "Important Safety Instruction" in the instruction manual and install the audio product with caution to avoid blocking its ventilation.

Improper installation may cause a fire or injury.

1. Ensure that there is adequate ventilation above and below the unit (according to the unit's instruction manual.)
 2. For products that have vents on the side panels, please do not obstruct, in order to allow for ventilation.
 3. Do not cover the ventilation holes on the unit installed.
 4. For products that generate heat, such as an Amplifier or Receiver, please use a minimum of one "U" (1.75") blank panel (or space) above and below product for ventilation. For best performance, it is recommended that DVD/CD players should be rack mounted below receivers to protect laser mechanisms.
 5. If rack is installed in a warm or enclose environment, use a cooling fan for ventilation.
- * Please use caution when rack mounting products. To balance the weight and to keep the center of gravity as low as possible (in order to keep from being too top heavy) mount heavier products towards the bottom of the rack.